



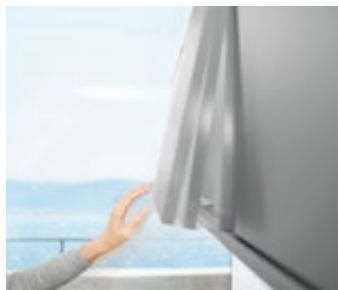
BLUMOTION	SERVO-DRIVE	TIP-ON
by Blum	by Blum	by Blum

AVENTOS lift systems provide ease of use in the wall cabinet. Even wide lift systems open easily, remain in any desired position and – thanks to BLUMOTION – close silently and effortlessly.

- BLUMOTION – silent and effortless closing action
- Quick, easy assembly and removal due to CLIP technology
- Easy, 3-dimensional front adjustment
- Perfectly balanced – fronts remain in any desired position
- No protruding parts
- Optimised ergonomic handle position
- With SERVO-DRIVE, the electrical motion support system for wall cabinets
- With TIP-ON, the mechanical opening support system for stay lifts



SERVO-DRIVE, the electrical motion support system for AVENTOS HF, AVENTOS HS, AVENTOS HL and AVENTOS HK top



TIP-ON, the mechanical opening support, is available for the lift systems AVENTOS HK top, AVENTOS HK-S and AVENTOS HK-XS



The symmetrical lift mechanism of AVENTOS HK-XS can be used on one or two sides



AVENTOS lift systems offer many opportunities for creating cabinets that are even more individual – in all areas of the home

▶ AVENTOS HF – bi-fold lift system		
	▶ AVENTOS HF – bi-fold lift system	22
	▶▶ Overview	23
	▶▶ Standard SERVO-DRIVE	24
	▶▶ Accessories	32
▶ AVENTOS HS – up and over lift system		
	▶ AVENTOS HS – up and over lift system	34
	▶▶ Overview	35
	▶▶ Standard SERVO-DRIVE	36
▶ AVENTOS HL – lift up		
	▶ AVENTOS HL – lift up	40
	▶▶ Overview	41
	▶▶ Standard SERVO-DRIVE	42
▶ AVENTOS HK top – stay lift		
	▶ AVENTOS HK top – stay lift	46
	▶▶ Overview	47
	▶▶ Standard SERVO-DRIVE	48
	▶▶ TIP-ON	52
	▶▶ Accessories	55
▶ AVENTOS HK-S – stay lift		
	▶ AVENTOS HK-S – stay lift	56
	▶▶ Overview	57
	▶▶ Standard	58
	▶▶ TIP-ON	58
	▶▶ Accessories	61
▶ AVENTOS HK-XS – stay lift		
	▶ AVENTOS HK-XS – stay lift	62
	▶▶ Overview	63
	▶▶ Standard	64
	▶▶ TIP-ON	64
	▶▶ Accessories	69
▶ AVENTOS – mitred and notched applications		
	▶ AVENTOS – mitred and notched applications	20
▶ Accessories		
	Screws	70
	Centre bit	70
	Door buffer	70
	Screwdriver	71
	Cross slot bit	71

Lift systems



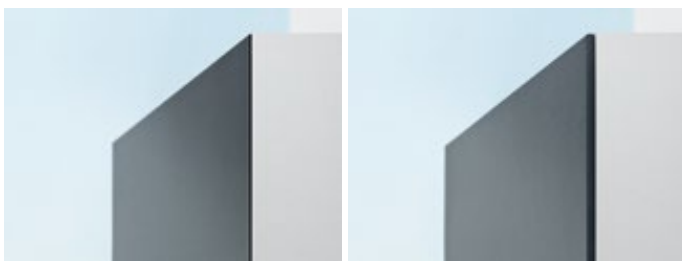
▶ AVENTOS – mitred and notched applications

An inspiring range of lift systems in motion



The fascinating motion quality of the AVENTOS fittings is also available for lift systems designed with mitres or rebates. The situation here is that the standard fittings can still be used with minor positional adjustment. Using the new application options, creative design ideas can be implemented to best effect.

Lift systems are particularly convenient as the smooth action and access to the cabinet are always achieved. AVENTOS lift systems also remain in any position when they are being opened and are therefore within easy reach to close. Extra convenience is provided by the SERVO-DRIVE or TIP-ON opening support systems.



Mitred applications

Notched applications

Page instructions

AVENTOS – mitred and notched applications

Short-URL

www.blum.com/mitresrebates



Mitred applications



AVENTOS HF – bi-fold lift system

Notched applications



AVENTOS HF – bi-fold lift system



AVENTOS HS – up and over lift system



AVENTOS HS – up and over lift system



AVENTOS HL – lift up



AVENTOS HL – lift up



AVENTOS HK top – stay lift



AVENTOS HK top – stay lift

Lift systems



▶ AVENTOS HK top – stay lift

Experience unprecedented ease of use



AVENTOS HK top is compact, minimalistic and highly functional. It is suitable for both small and large lift systems in tall and wall cabinets. Opening angle stop and safety mechanism are integrated. Cornices were also taken into account during development.

- Silent and effortless closing, thanks to **BLUMOTION**
- Easy to open
- Stops at any opening position
- Provides excellent access to the cabinet interior
- Suitable for wall cabinets with cornice or crown moulding
- Small programme, huge application variety
- Easy assembly and adjustment
- Stability, even with wide fronts
- Excellent durability
- No protruding parts
- Optional: SERVO-DRIVE for AVENTOS HK top
- Optional: TIP-ON for AVENTOS

Opening and closing – easy and comfortable



Small installation size, straight lines, harmonious proportions, smooth surfaces: AVENTOS HK top has already won multiple awards for its design



Thanks to its minimalist design, the stay lift fits harmoniously into furniture in all areas of the home



Choose between two symmetrical lift mechanism types – and two types of assembly. The lift mechanism with the integrated positioning system can be installed without pre-drilling. The lift mechanism with pre-mounted system screws can also be installed to the unattached cabinet side. Four drill holes in the 32 tier system are required for this



Other advantages that will inspire both you and your customers

**Excellent durability**

The core element of the lift mechanism is a robust spring package. The result: high durability combined with light operating forces

**Motion technologies**








Whether with SERVO-DRIVE or TIP-ON: combined with the right motion technology, they make opening and closing a memorable experience

**Integrated safety mechanism**

The innovative mechanism prevents the lever arm from opening unintentionally

**Integrated opening angle stop**

The distance the front should open is infinitely variable and can therefore be set exactly as required

Applications		Webcode	Page
▶▶ Standard SERVO-DRIVE			
	Wooden fronts, wide and narrow alu frames		
		DQHFJY	48
▶▶ TIP-ON			
	Wooden fronts, wide and narrow alu frames – TIP-ON		
		DQHS7Y	52
	TIP-ON 956. – short version with magnet		54
	TIP-ON 956A – long version with magnet		54
▶▶ Accessories			
	Adapter plates		55
	Screws		70
	Centre bit		70
	Door buffer		70
	Screwdriver		71
	Cross slot bit		71
Symbolic image			
▶▶ Assembly, removal and adjustment			
	Assembly, removal and adjustment		Machine directive
			Detailed information on the Machine Directive
	Short-URL		Short-URL
	www.blum.com/a170		www.blum.com/sd/guideline
Symbolic image			665

Pictograph



Item Available Upon Request

Lift systems



- ▶ AVENTOS HK top – stay lift
- ▶▶ Standard | SERVO-DRIVE

Wooden fronts, wide and narrow alu frames

Webcode

DQHFJY



- Well-suited for low frontal heights in the wall cabinet, the high cabinet and over the refrigerator
- Cabinet height KH 205–600 mm
- Cabinet width KB up to 1800 mm
- Silent and effortless closing, thanks to **BLUMOTION**
- Light operating forces
- Perfect motion with a variable stop
- Tool-free assembly
- 3-dimensional front adjustment
- Simple, infinitely variable lift mechanism
- No hinges are necessary
- Integrated safety mechanism
- Integrated infinitely variable opening angle stop

Power factor LF

Cabinet height KH (mm) x door weight incl. double handle weight (kg)

We recommend the more powerful lift mechanism for overlapping areas.

 Standard

 SERVO-DRIVE

Order information

1 <input type="checkbox"/> <input checked="" type="checkbox"/> Lift mechanism set			
Fixing with pre-mounted system screws			
Power factor LF	Opening angle	Part no.	
420–1610	107°	22K2310	
930–2800	107°	22K2510	
1730–5200	107°	22K2710	
3200–9000	107°	22K2910	

Composed of:

- 1 2 x Symmetrical lift mechanism with pre-mounted system screws

Note

Max. door weight 18 kg for two lift mechanisms.

The power factor LF can be increased by 50 % when a third lift mechanism is used. The power factor LF and the door weight can be increased by 50 % when a third lift mechanism is used. The reason for this is to prevent the middle of the front from sagging when open

1 <input type="checkbox"/> <input checked="" type="checkbox"/> Lift mechanism set			
Fixing with chipboard screws with positioning system			
Power factor LF	Opening angle	Part no.	
420–1610	107°	22K2300	
930–2800	107°	22K2500	
1730–5200	107°	22K2700	
3200–9000	107°	22K2900	

Composed of:

- 1 2 x Lift mechanism (symmetrical)

Incl. positioning system

- 8 x Chipboard screws Ø 4 x 35 mm

Note

Max. door weight 18 kg for two lift mechanisms.

The power factor LF can be increased by 50 % when a third lift mechanism is used. The power factor LF and the door weight can be increased by 50 % when a third lift mechanism is used. The reason for this is to prevent the middle of the front from sagging when open

3 <input type="checkbox"/> <input checked="" type="checkbox"/> Cover cap set			
Colour	Material	Part no.	
HGR SW TGR	Nylon	22K8000	

Composed of:

- 1 x Cover cap left
- 3b 1 x Cover cap right
- 3c 2 x Branding element, stamped with Blum logo
- IN-G

3 <input checked="" type="checkbox"/> <input type="checkbox"/> Cover cap set for SERVO-DRIVE			
Colour	Material	Part no.	
HGR SW TGR	Nylon	23K8000	

Composed of:

- 3a 1 x SERVO-DRIVE cover cap left
- 3b 1 x Cover cap right
- 3c 2 x Branding element, stamped with Blum logo
- IN-G
- 3d 2 x SERVO-DRIVE switch
- 3e 2 x Blum distance bumper, Ø 5 mm

4 <input type="checkbox"/> <input checked="" type="checkbox"/> Front fixing bracket set			
Version			Part no.
Wooden fronts and wide alu frames	1	20S4200	
Narrow alu frames		20S4200A	

1 Use 4 chipboard screws (609.1x00) per side for wooden fronts

1 Use 4 counter sunk self tapping screws (660.0950) per side for wide alu frames

4 <input type="checkbox"/> <input checked="" type="checkbox"/> Front fixing bracket		
Version	Part no.	
Thin fronts	20S4211	

EXPANDO T suitable for thin fronts – see page instructions

6 <input checked="" type="checkbox"/> SERVO-DRIVE set			
Colour	Material	Part no.	
R7037	Nylon	23KA000	

Composed of:

- 6a 1 x Drive unit

- 6b 1 x Distribution cable, 1500 mm

- 6c 1 x Connecting node

- 6d 2 x Cable end protector

For three lift mechanisms or more, we recommend two synchronised drive units

7 <input checked="" type="checkbox"/> Blum transformer 24 W			
Language package	Part no.	Language package	Part no.
A	Z10NE030A	F	Z10NE030F
B	Z10NE030B	G	Z10NE030G
C	Z10NE030C	H	Z10NE030H
D	Z10NE030D	J	Z10NE030J
E	Z10NE030E		

Incl. instruction leaflet and installation instructions

Without flex

Language package

A DE | EN | FR | IT | NL F BG | ET | LT | LV | RO | RU

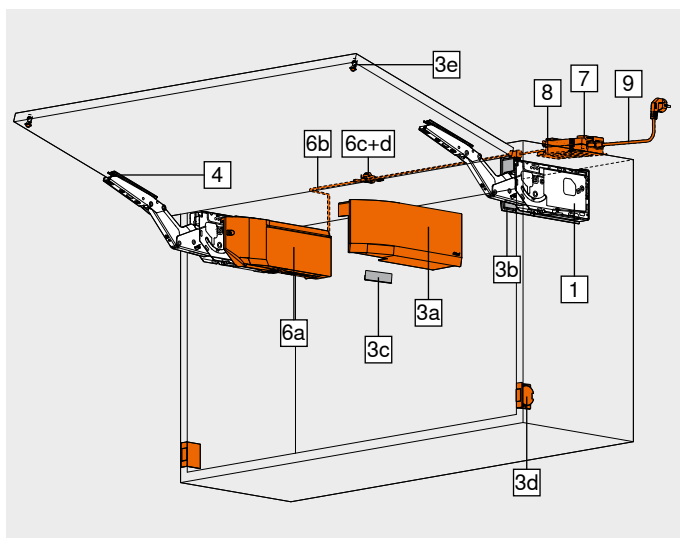
B DA | EN | FI | NO | SV G EN | ES | FR

C EL | EN | HR | SL | SR | TR H EN | ZH

D EN | ES | FR | IT | PT J JA

E CS | HU | PL | SK

Language descriptions as per ISO-639




Wooden fronts, wide and narrow alu frames

Webcode

DQHFJY

Order information


8		Transformer unit housing		
	Colour	Material	Part no.	
	WGR	Nylon	Z10NG120	

For Blum transformer 24 W

9		Flex		
	Market	Part no.	Market	Part no.
	AR	Z10M200A	JP	Z10M200J
	UK	Z10M200B	AU	Z10M200K
	CH	Z10M200C	CL	Z10M200L
	DK	Z10M200D	CN	Z10M200N
	Europe	Z10M200E	BR	Z10M200S.01
	Europe	Z10M200E.OS	TW	Z10M200T
	IN	Z10M200H	US CA	Z10M200U
	IL	Z10M200I	ZA	Z10M200Z

¹ Without plug

Alternative to 7 | 8 | 9

–		Blum plug-in transformer 12 W		
Only suitable for one drive unit				
	Network adapter	Language package	Part no.	Network adapter
	E	A	Z10NA30EAF	E
	E	B	Z10NA30EBF	B
	E	C	Z10NA30ECF	K
	E	D	Z10NA30EDF	U
	E	E	Z10NA30EEF	

Network adapter ¹


Composed of:

- 1 x Blum plug-in transformer 12 W
- Incl. cable, 1120 mm (with distribution cable extendible to max. 2000 mm)

Other combinations available upon request


¹ See the Information chapter for a detailed market list

Accessories

–		Distribution cable and cable end protector		
	Colour	Length (m)	Part no.	
	S	8	Z10K800AE	


Composed of:

- 6b 1 x Distribution cable
 - 6d 5 x Cable end protector
- Can be used as a distribution cable
For cutting to size

–		Connecting node and cable end protector		
	Colour	Material	Part no.	
	S	Nylon	Z10V100E.01	

Composed of:



- 6c 1 x Connecting node
 - 6d 2 x Cable end protector
- Tool-free assembly

–		Cable holder		
	Colour	Material	Part no.	
	W	Nylon	Z10K0009	

For example, for securing the distribution cable

Colour		Colour	
HGR	Light grey	WGR	White grey
SW	Silk white	S	Black
TGR	Dark grey	W	White
R7037	RAL 7037 dust grey	IN-G	Inmold brushed stainless steel

Page instructions

Overview – AVENTOS HK top	47	Planning – Blum distance bumper	51	Assembly, removal and adjustment	
Fixing system for thin fronts – EXPANDO T	554	Planning – SERVO-DRIVE switch	51		
Assembly recommendation and limitation of liability – EXPANDO T	555	SERVO-DRIVE uno – market list	682	Short-URL	
		Overview – assembly devices	561		
Accessories – general	70	Reference values for door weights	668		
Planning	50	Machine directive	665		
		More technical details	662		

Lift systems



- ▶ AVENTOS HK top – stay lift
- ▶▶ Standard | SERVO-DRIVE

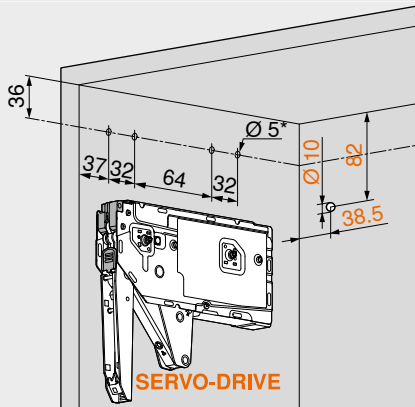
Wooden fronts, wide and narrow alu frames

Webcode

DQHFJY

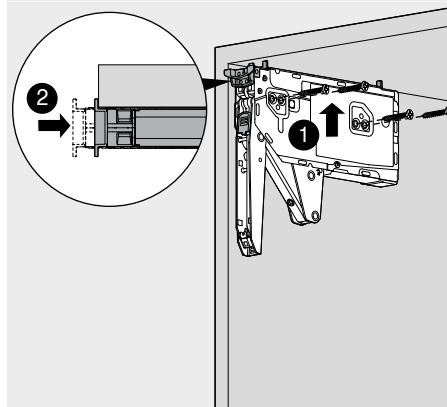
Planning

Drilling position – system screws



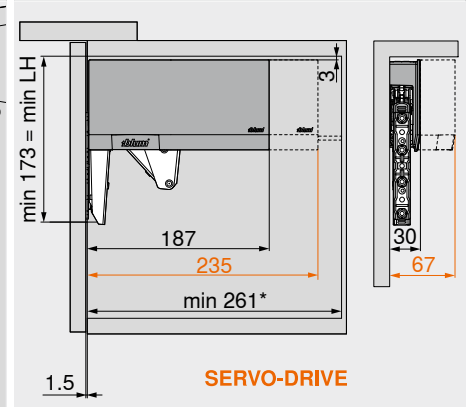
* Drilling depth 11.5 mm

Drilling position – chipboard screws



4 x chipboard screws Ø 4 x 35 mm

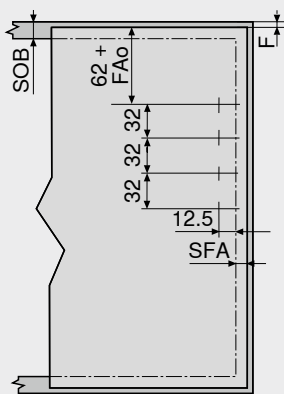
Space requirement



LH Internal cabinet height

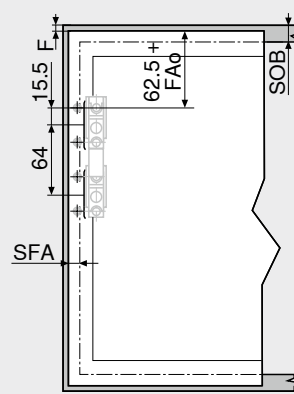
* Min. 261 mm with visible wall hanging bracket

Front assembly – wooden fronts and wide alu frames

Use 4 chipboard screws (609.1x00) for wooden fronts
Use 4 counter sunk self tapping screws (660.0950) for wide alu frames

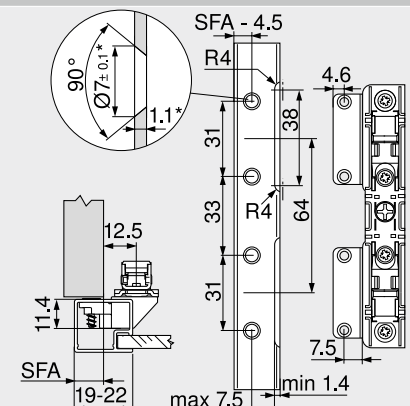
SOB Top panel thickness
FAo Upper front overlay
Max. 25.4 mm
SFA Front overlay of the side panel
F Gap

Front assembly – narrow alu frames



SOB Top panel thickness
FAo Upper front overlay
Max. 25.4 mm
SFA Front overlay of the side panel
F Gap

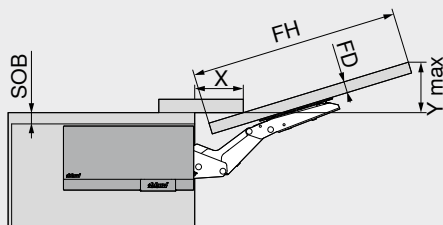
Narrow alu frames



For frame width 19 mm, a side front overlay SFA of 11–18 mm is possible

* When changing material thickness, adjust the assembly dimensions accordingly

Space requirement – cornice | crown



Space requirement (mm)

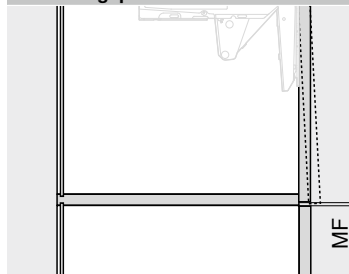
At max. opening angle

 $Y = FH \times 0.29 + FD - SOB$

FD (mm)	16	19	22	26	28
X (mm)	68	57	47	33	27

SOB Top panel thickness
FH Front height
FD Front thickness

Minimum gap



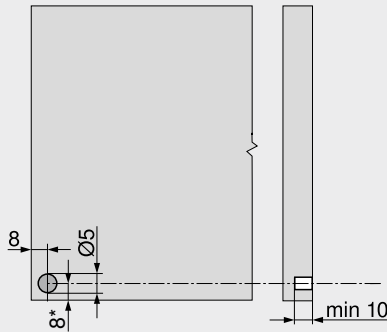
MF Minimum gap 2 mm

Wooden fronts, wide and narrow alu frames

Webcode
 DQHFJY

Planning

Blum distance bumper (SERVO-DRIVE application only)



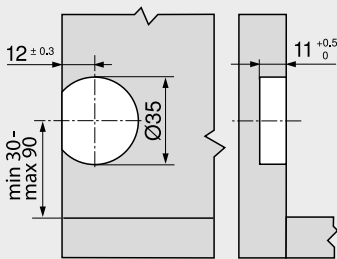
Insert Blum distance bumper (do not glue)
 Do not use bumpers in the upper third

Recommendation for aluminium frames

Consider drilling for the Blum distance bumper in the cabinet side
 A trial application must be carried out when fixing to the front

* From cabinet bottom edge for fronts that protrude below

SERVO-DRIVE switch



Page instructions

Overview – AVENTOS HK top	47	AVENTOS HK top
Order specification – wooden fronts, wide and narrow alu frames	48	
Overview – assembly devices	561	Short-URL
Machine directive	665	www.blum.com/i014
More technical details	662	



Assembly, removal and adjustment

Short-URL
www.blum.com/a170



Lift systems



- ▶ AVENTOS HK top – stay lift
- ▶▶ TIP-ON

Wooden fronts, wide and narrow alu frames – TIP-ON

Webcode

DQHS7Y



- TIP-ON for handle-less lift systems
- Cabinet height KH 205–600 mm
- Cabinet width KB up to 1800 mm
- For drilling or in combination with adapter plates

Power factor LF

Cabinet height KH (mm) x door weight incl. double handle weight (kg)

We recommend the more powerful lift mechanism for overlapping areas.

TIP-ON

Order information

1 Lift mechanism set for TIP-ON			
Fixing with pre-mounted system screws			
Power factor LF	Opening angle	Part no.	
420–1610	107°	22K2310T	
930–2800	107°	22K2510T	
1730–5200	100°	22K2710T	
3200–9000	100°	22K2910T	

Composed of:

- 1 2 x Symmetrical lift mechanism with pre-mounted system screws

Note

Max. door weight 18 kg for two lift mechanisms.

The power factor LF can be increased by 50 % when a third lift mechanism is used. The power factor LF and the door weight can be increased by 50 % when a third lift mechanism is used. The reason for this is to prevent the middle of the front from sagging when open

1 Lift mechanism set for TIP-ON			
Fixing with chipboard screws with positioning system			
Power factor LF	Opening angle	Part no.	
420–1610	107°	22K2300T	
930–2800	107°	22K2500T	
1730–5200	100°	22K2700T	
3200–9000	100°	22K2900T	

Composed of:

- 1 2 x Lift mechanism (symmetrical) incl. positioning system
- 8 x Chipboard screws Ø 4 x 35 mm

Note

Max. door weight 18 kg for two lift mechanisms.

The power factor LF can be increased by 50 % when a third lift mechanism is used. The power factor LF and the door weight can be increased by 50 % when a third lift mechanism is used. The reason for this is to prevent the middle of the front from sagging when open

3 Cover cap set			
Colour	Material	Part no.	
HGR SW TGR	Nylon	22K8000	

Composed of:

- 1 x Cover cap left
- 3b 1 x Cover cap right
- 3c 2 x Branding element, stamped with Blum logo
- IN-G

4 Front fixing bracket set			
Version	Part no.		
Wooden fronts and wide alu frames	20S4200		
Narrow alu frames	20S4200A		

1 Use 4 chipboard screws (609.1x00) per side for wooden fronts

1 Use 4 counter sunk self tapping screws (660.0950) per side for wide alu frames

4 Front fixing bracket			
Version	Part no.		
Thin fronts	20S42T1		

EXPANDO T suitable for thin fronts – see page instructions

6 TIP-ON set			
Version	Cabinet height KH (mm)	Part no.	
Short version	Up to 500	956.1004	
Extended version	Starting at 501	956A1004	

Composed of:

- 6a 1 x TIP-ON
- 6b 1 x Screw-on catch plate
- 6c 1 x Chipboard screw 609.1500
- 1 x Glue-on catch plate

Accessories

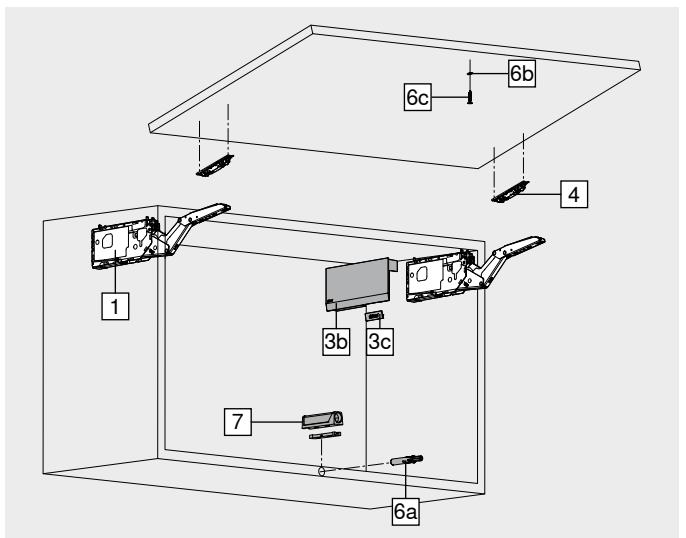
7 Adapter plate			
Version	Colour	Part no.	
Inline adapter plate – short version	SW TS R7036 NI-L	956.1201	
Inline adapter plate – long version	SW TS R7036 NI-L	956A1201	
Cruciform adapter plate – long version	R7036	956A1501	

Colour

- HGR Light grey
- SW Silk white
- TGR Dark grey
- TS Terra black

Colour

- R7036 RAL 7036 platinum grey
- NI-L Nickel lacquered
- IN-G Inmold brushed stainless steel

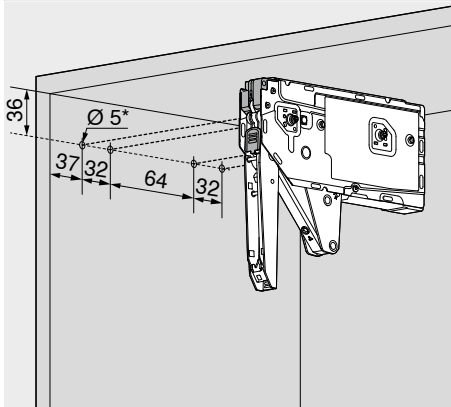


Wooden fronts, wide and narrow alu frames – TIP-ON

Webcode
DQHS7Y

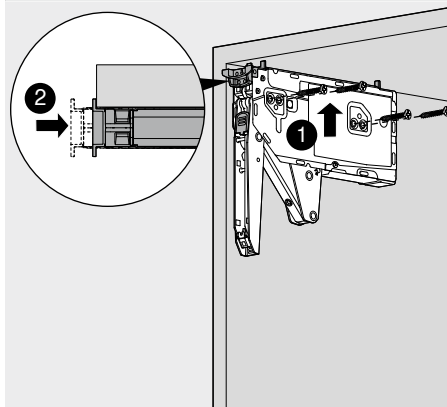
Planning

Drilling position – system screws



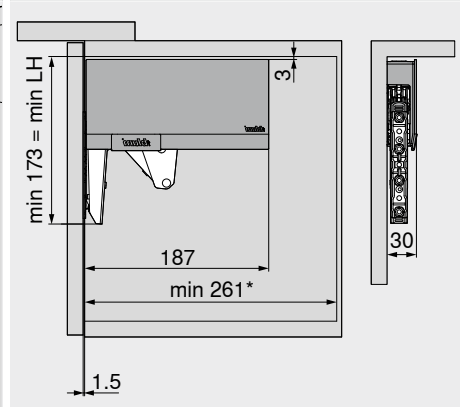
* Drilling depth 11.5 mm

Drilling position – chipboard screws



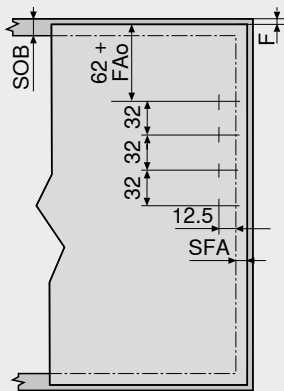
4 x chipboard screws Ø 4 x 35 mm

Space requirement



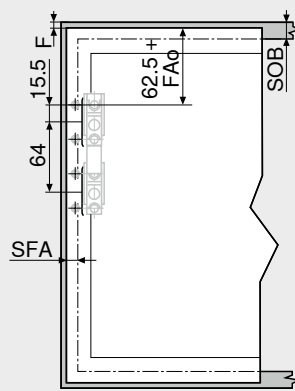
LH Internal cabinet height
* Min. 261 mm with visible wall hanging bracket

Front assembly – wooden fronts and wide alu frames



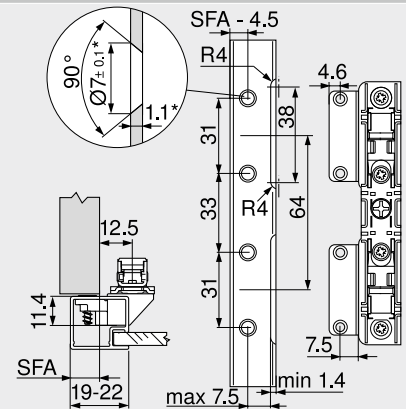
Use 4 chipboard screws (609.1x00) for wooden fronts
Use 4 counter sunk self tapping screws (660.0950) for wide alu frames
SOB Top panel thickness
FAo Upper front overlay
Max. 25.4 mm
SFA Front overlay of the side panel
F Gap

Front assembly – narrow alu frames



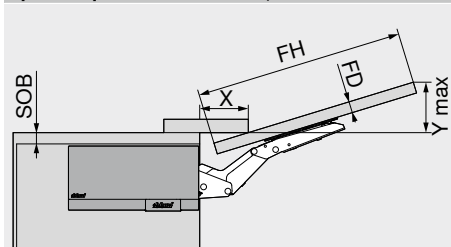
SOB Top panel thickness
FAo Upper front overlay
Max. 25.4 mm
SFA Front overlay of the side panel
F Gap

Narrow alu frames



For frame width 19 mm, a side front overlay SFA of 11–18 mm is possible
* When changing material thickness, adjust the assembly dimensions accordingly

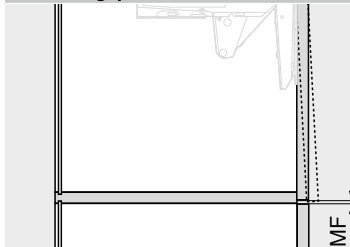
Space requirement – cornice | crown



Space requirement (mm)

At max. opening angle
 $Y = FH \times 0.29 + FD - SOB$
FD (mm) 16 19 22 26 28
X (mm) 68 57 47 33 27
SOB Top panel thickness
FH Front height
FD Front thickness

Minimum gap



MF Minimum gap 2 mm

Page instructions

Overview – AVENTOS HK top	47
TIP-ON 956x	54
Fixing system for thin fronts – EXPANDO T	554
Assembly recommendation and limitation of liability – EXPANDO T	555
Overview – assembly devices	561
More technical details	662

AVENTOS HK top

Short-URL

www.blum.com/i014

Assembly, removal and adjustment

Short-URL

www.blum.com/a170



Lift systems



- ▶ AVENTOS HK top – stay lift
- ▶▶ TIP-ON

TIP-ON 956. – short version with magnet



- For stay lifts up to a height of 500 mm
- For drilling or in combination with adapter plates
- Output path approx. 17 mm
- Setting +4/–1 mm

Order information

Colour	Material	Part no.
SW TS R7036	Nylon	956.1004

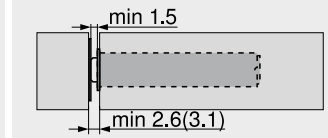
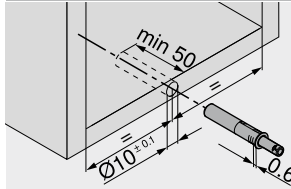
Composed of:

- 1 x TIP-ON 956. – short version with magnet
- 1 x Glue-on catch plate
Not suitable for powder-coated, waxed or oiled surfaces
- 1 x Screw-on catch plate

Colour

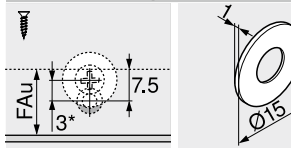
SW	Silk white
TS	Terra black
R7036	RAL 7036 platinum grey

Planning

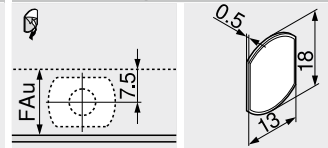


() Screw-on catch plate

Screw-on catch plate

FAU Bottom front overlay
* 3 mm offset installation

Glue-on catch plate



FAU Bottom front overlay

TIP-ON 956A – long version with magnet



- For stay lifts heights over 501 mm
- For drilling or in combination with adapter plates
- Output path approx. 38 mm
- Setting +4/–1 mm

Order information

Colour	Material	Part no.
SW TS R7036	Nylon	956A1004

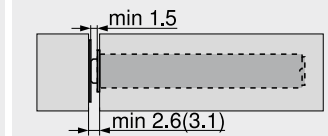
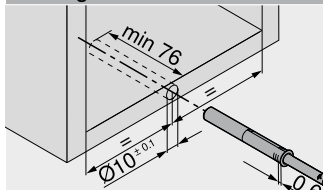
Composed of:

- 1 x TIP-ON 956A – long version with magnet
- 1 x Glue-on catch plate
Not suitable for powder-coated, waxed or oiled surfaces
- 1 x Screw-on catch plate

Colour

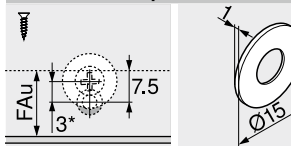
SW	Silk white
TS	Terra black
R7036	RAL 7036 platinum grey

Planning

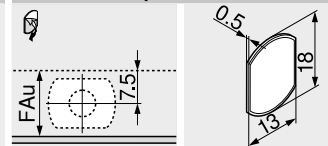


() Screw-on catch plate

Screw-on catch plate

FAU Bottom front overlay
* 3 mm offset installation

Glue-on catch plate



FAU Bottom front overlay

Page instructions

Overview – AVENTOS HK top	47
Accessories – straight adapter plates	55
Accessories – cruciform adapter plates	55

Assembly, removal and adjustment

Short-URL
www.blum.com/a170



Assembly

Drilling template for BLUMOTION TIP-ON	632
Positioning template for catch plate	652
MINIPRESS top with EASYSTICK	576
MINIPRESS top	580

Inline adapter plate – short version

20/17

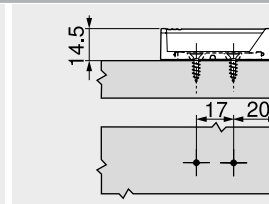
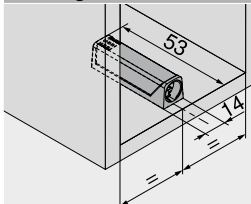


- Fixing with chipboard screws \varnothing 3.5 or \varnothing 4 mm
- Alternative assembly with system screws
- TIP-ON must be ordered separately

Order information

Colour	Material	Part no.
SW TS R7036	Nylon	956.1201
NI-L		
SW	Silk white	
TS	Terra black	
R7036	RAL 7036 platinum grey	
NI-L	Nickel lacquered	

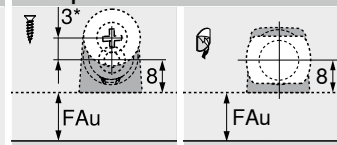
Planning



Front gap



Catch plate



FAu Bottom front overlay
* 3 mm offset installation

Inline adapter plate – long version

20/32

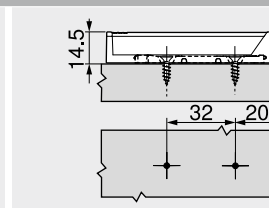
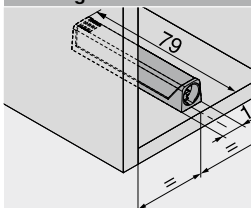


- Fixing with chipboard screws \varnothing 3.5 or \varnothing 4 mm
- Alternative assembly with system screws
- TIP-ON must be ordered separately

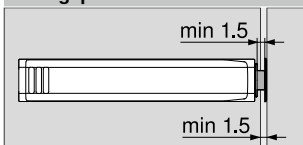
Order information

Colour	Material	Part no.
SW TS R7036	Nylon	956A1201
NI-L		
SW	Silk white	
TS	Terra black	
R7036	RAL 7036 platinum grey	
NI-L	Nickel lacquered	

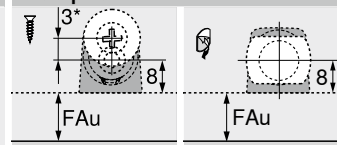
Planning



Front gap



Catch plate



FAu Bottom front overlay
* 3 mm offset installation

Cruciform adapter plate – long version

37/32

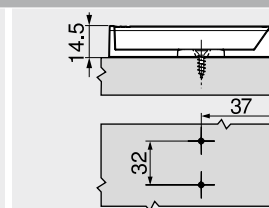
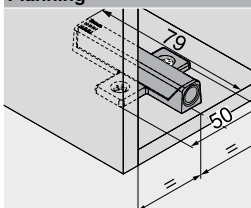


- Fixing with chipboard screws \varnothing 3.5 or \varnothing 4 mm
- Alternative assembly with system screws
- TIP-ON must be ordered separately

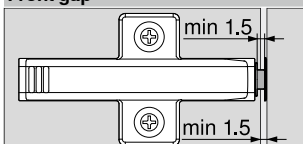
Order information

Colour	Material	Part no.
R7036	Nylon	956A1501
R7036	RAL 7036 platinum grey	

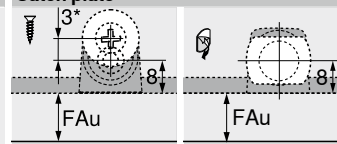
Planning



Front gap



Catch plate



FAu Bottom front overlay
* 3 mm offset installation

Page instructions

Overview – AVENTOS HK top

47

Assembly, removal and adjustment



Assembly

Template	630
Drilling template for mounting plates	631
Positioning template for catch plate	652
MINIPRESS top with EASYSTICK	576
MINIPRESS top	580
MINIPRESS P	592

MINIPRESS M

596

Short-URL

www.blum.com/a170